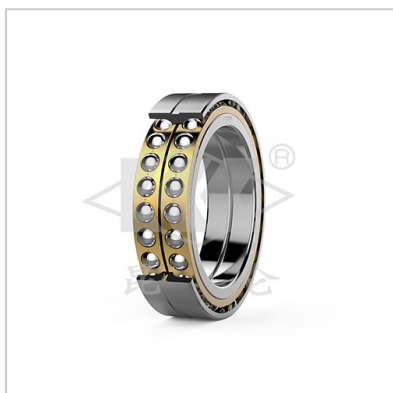


Double Row Angular Contact Ball Bearing

d 280 - 530mm-4064D4086164



Bearing code :

| | |
|-----------------|---------|
| Current code : | 4064D |
| Original code : | 4086164 |

External dimensions mm :

| | |
|---------|-----|
| d : | 320 |
| D : | 480 |
| B : | 160 |
| rmin : | 4 |
| r1min : | 1.5 |

Basic rated load KN :

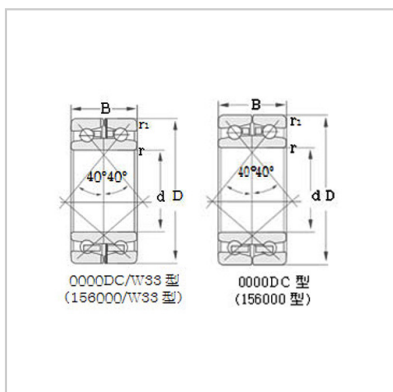
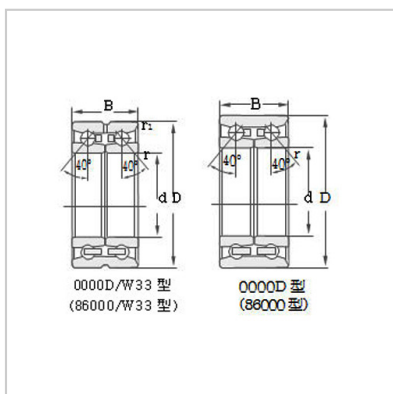
| | |
|-------------------|------|
| Dynamic load Cr : | 1003 |
| Static load Cor : | 765 |

Limit speed r/min :

| | |
|-------|--|
| fat : | |
| oil : | |

weight :

| | |
|------|----|
| kg : | 98 |
|------|----|



: